



**STANDARD SPECIFICATIONS:**

**ITEM:** \_\_\_\_\_  
**QTY:** \_\_\_\_\_  
**MODEL:** **M-108**  
**LENGTH:** \_\_\_\_\_

**Posts**

- 1" Diameter stainless steel post
- 2" Diameter stainless steel flange
- Stainless steel glass clips
- Brushed #4 stainless steel finish

**Unit**

- NSF Certified
- Mounting hardware provided
- Clear tempered glass with polished edges
  - 1/4" glass (max. span 40")
  - 3/8" Glass (max. span 60")

**OPTIONS AND ACCESSORIES:**

**Tube Size**

- 1 1/2" Diameter
- 2" Diameter
- 1 1/2" Square
- 2" Square
- Other \_\_\_\_\_

**Metal Finish**

- Mirror Polished #8
- Powder Coat Color  
RAL# \_\_\_\_\_
- Other \_\_\_\_\_

**Glass Options**

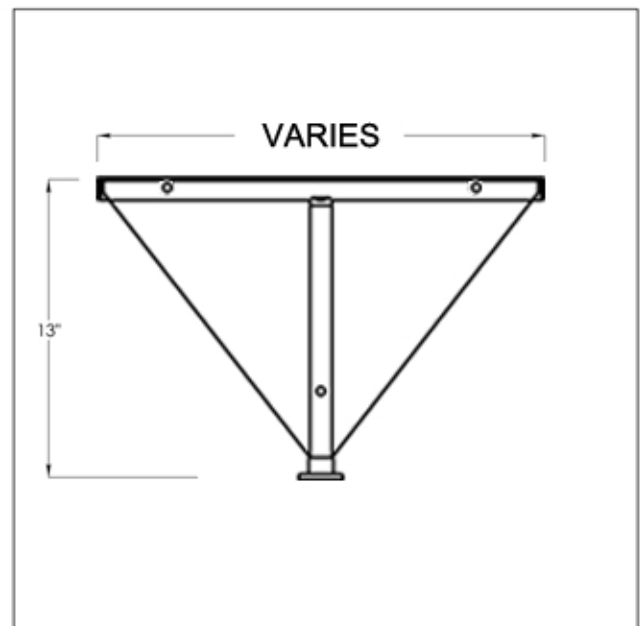
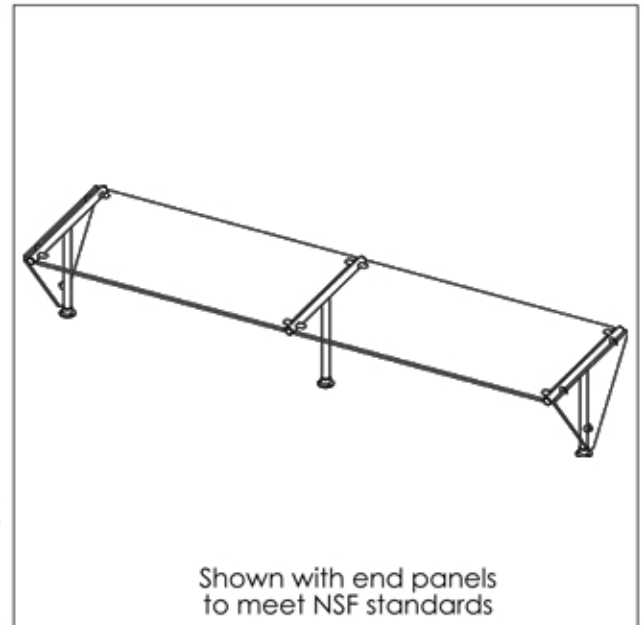
- Frosted
- Frosted logo
- Acrylic

**Accessories**

- Channel in lieu of glass clips
- Glass end panels
- Heat strips
- Heat strips with lights
- Fluorescent lights
- LED lights
- Cross supports

**Mounting Options**

- Round flange
- Narrow flange
- Undercounter mount
- Wall mount
- Heavy duty mount



U.S. Patents: US D497,739 S  
US D472,083 S  
US D575,560 S  
Additional patents pending

